

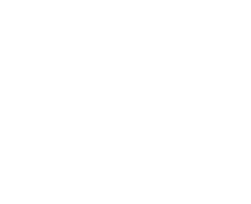
K3

LED Linear High Bay Light

175LM/W

30W 60W 90W 120W

Various beam angle 30°/60°/90° options, and asymmetric 25°/30°



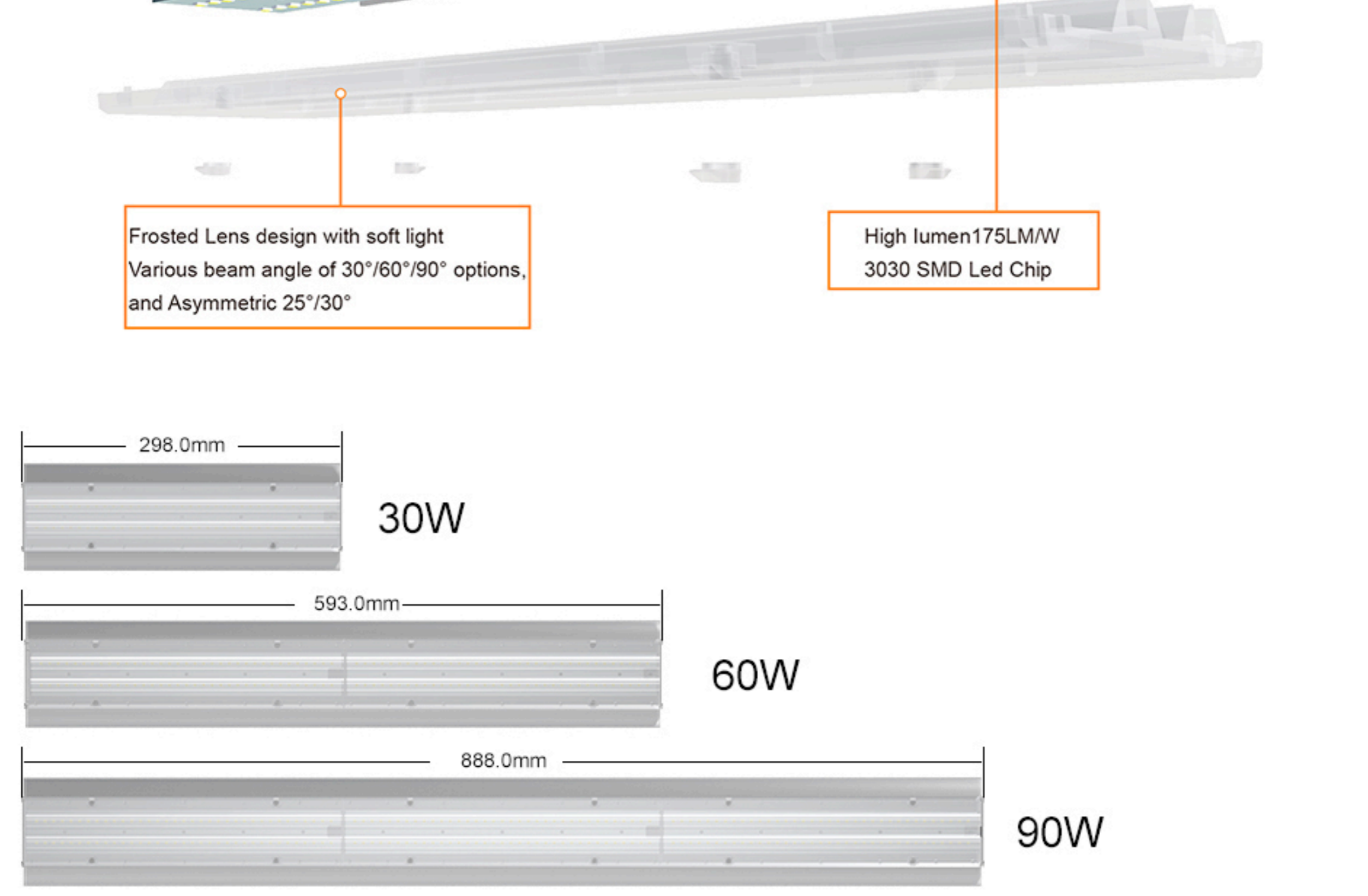
VEET CB IK10

Features



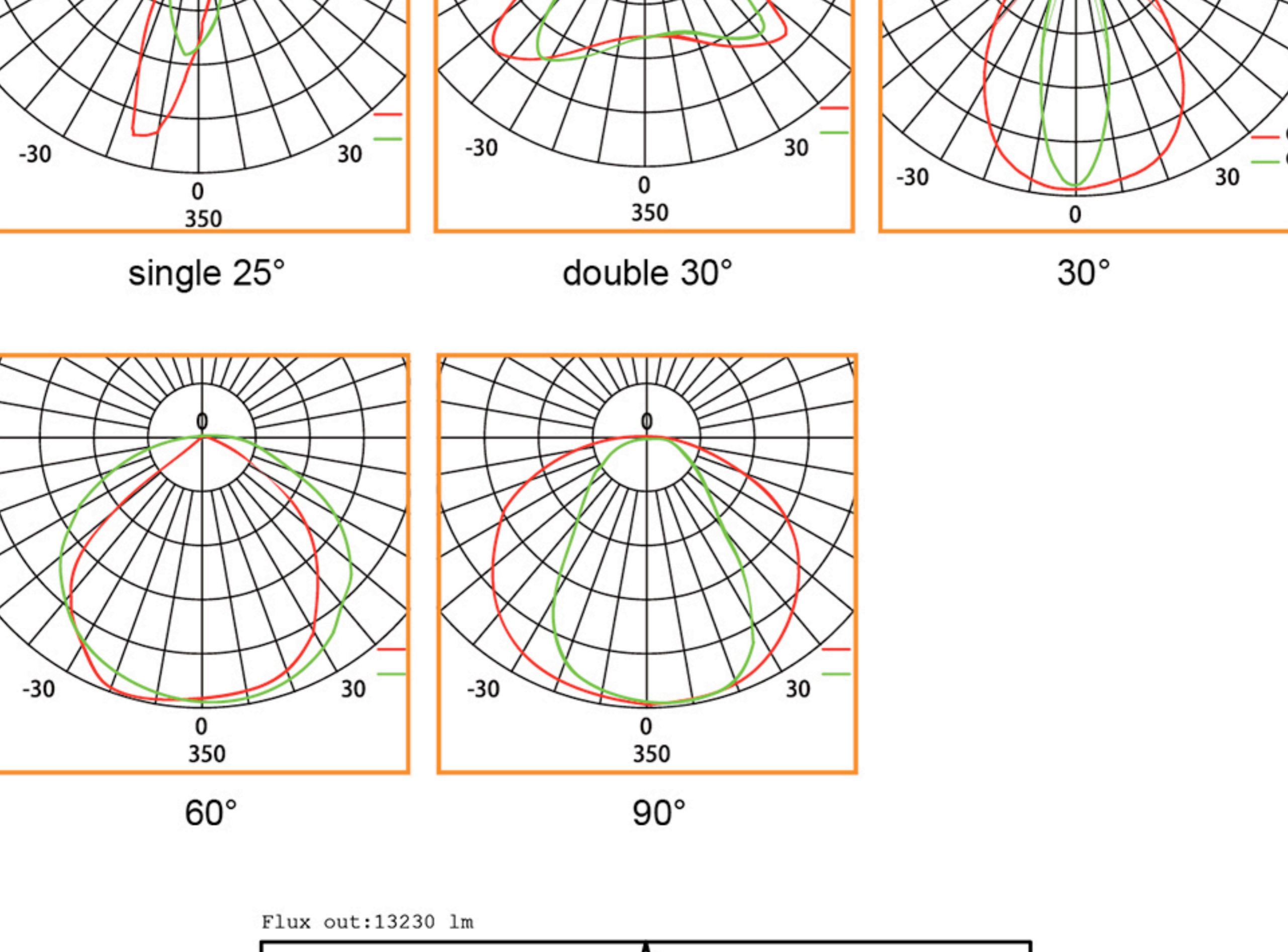
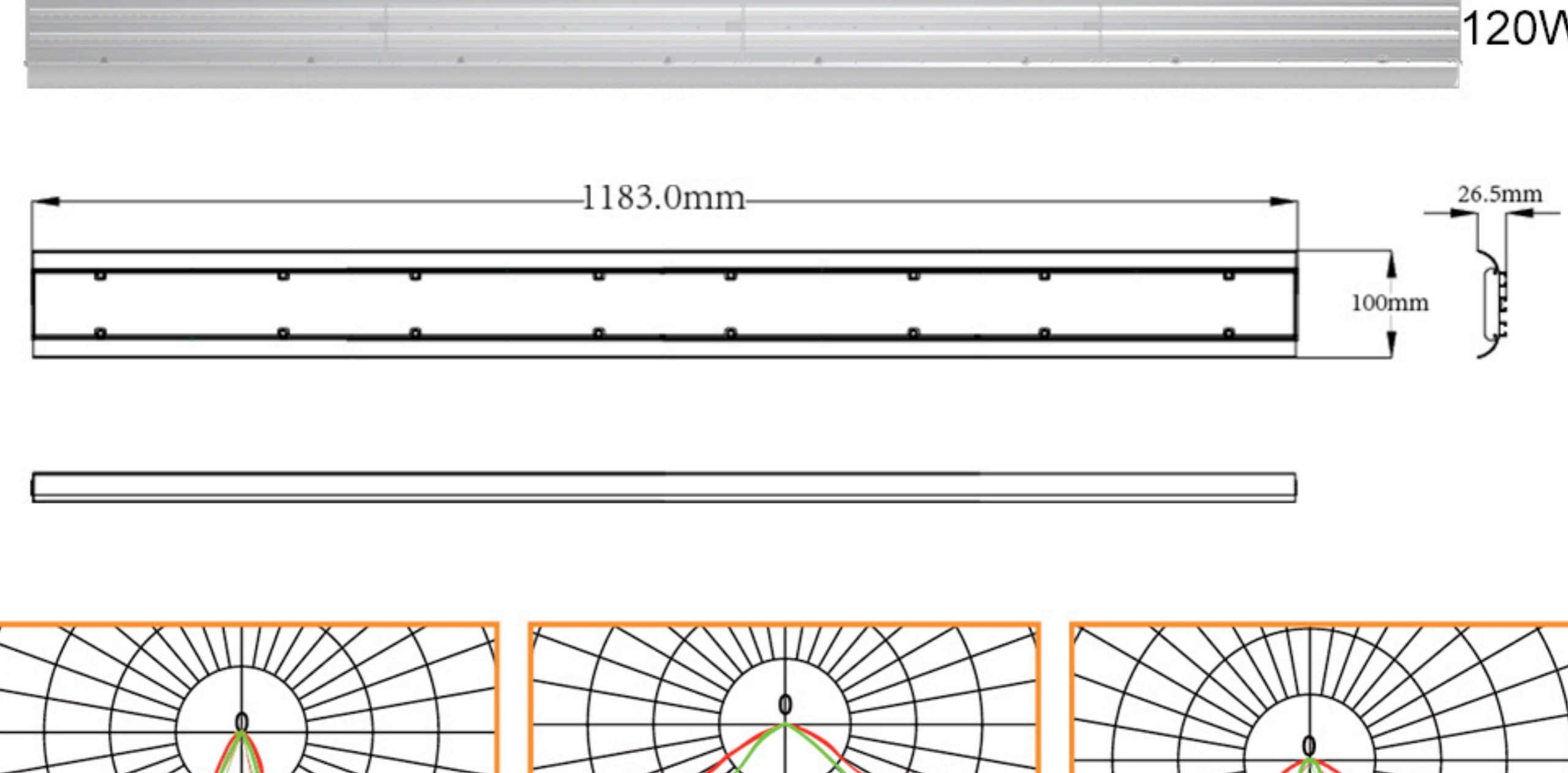
PC transparent/ frosted cover, the overall appearance looks lighter and thinner

Sandblasting oxidation treatment on heat sink makes fixture body with better abrasion performance and corrosion resistance



Frosted Lens design with soft light Various beam angle of 30°/60°/90° options, and Asymmetric 25°/30°

High lumen 175LM/W 3030 SMD Led Chip

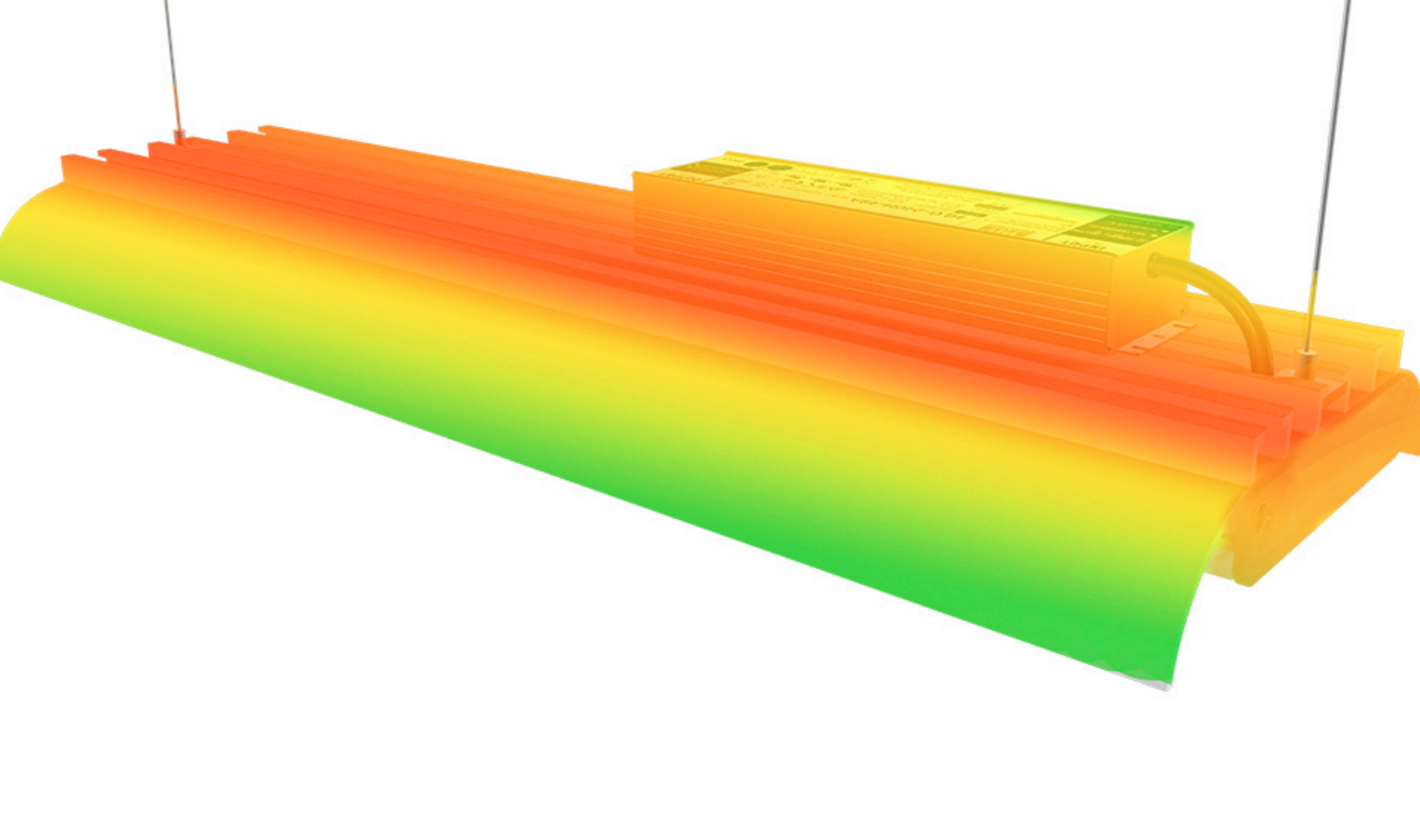


Flux out: 13230 lm

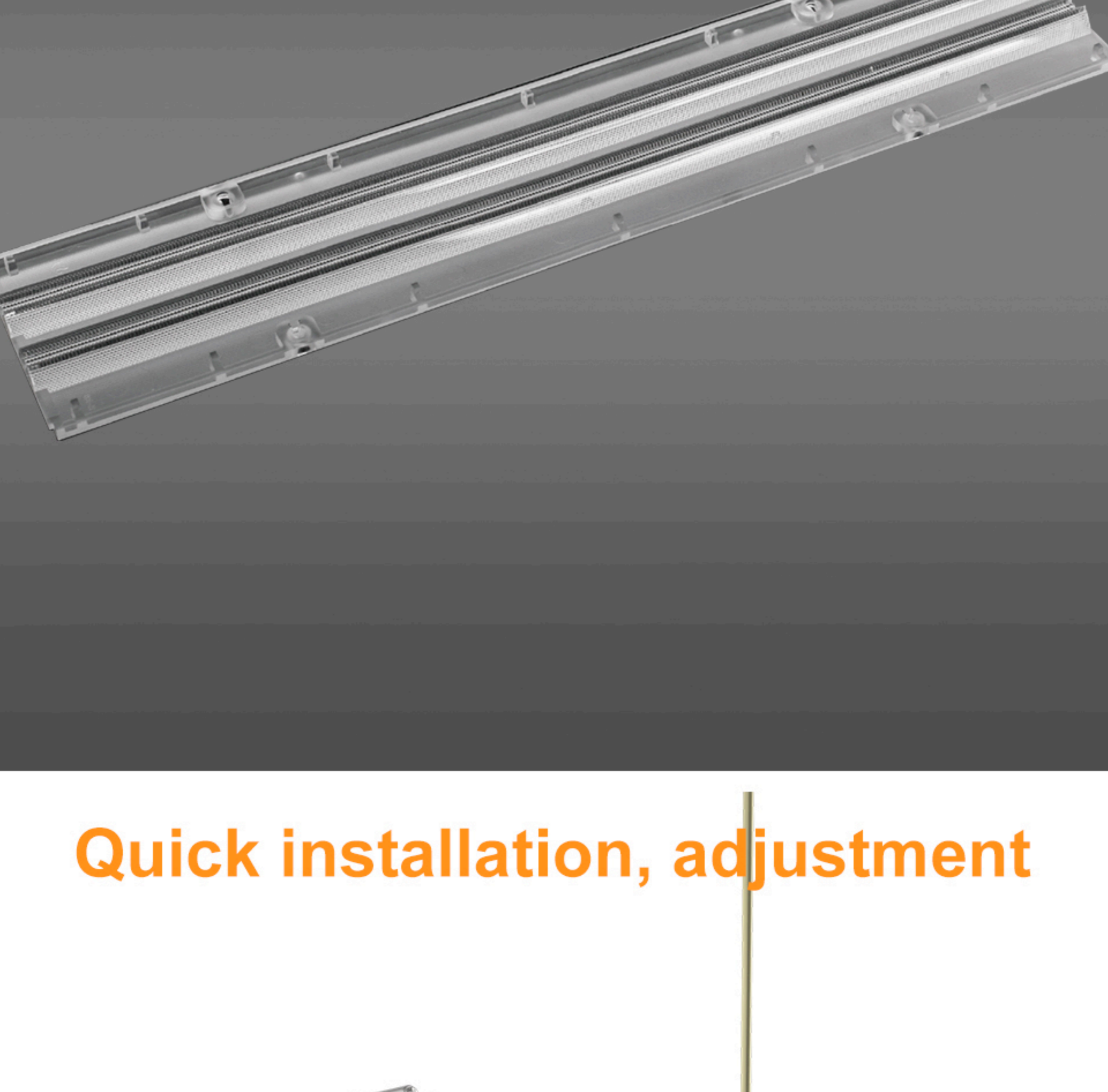
Height	Eavg, Emax	Angle: 86.37deg	Diameter
1m	4516, 9128lx		187.73cm
2m	1129, 2282lx		375.45cm
3m	501.8, 1014lx		563.18cm
4m	282.2, 570.5lx		750.90cm
5m	180.6, 365.1lx		938.63cm
6m	125.4, 253.5lx		1126.36cm
7m	92.16, 186.3lx		1314.08cm
8m	70.56, 142.6lx		1501.81cm
9m	55.75, 112.7lx		1689.54cm
10m	45.16, 91.28lx		1877.26cm

Note: The Curves indicate the illuminated area and the average illumination when the luminaire is at different distance.

High efficient heat dissipation



Frosted Lens design with soft light Various beam angle of 30°/60°/90° options, and Asymmetric 25°



Quick installation, adjustment



Sandblasting oxidation treatment on heat sink makes fixture body with better abrasion performance and corrosion resistance



Installation



APPLICATION

