



# Hi-Robert

LED High Mast Light

170LM/W  
7 YEARS WARRANTY

- 320W
- 480W
- 720W
- 960W
- 1300W

The lamp with hexagon design that minimizes wind load



## Features

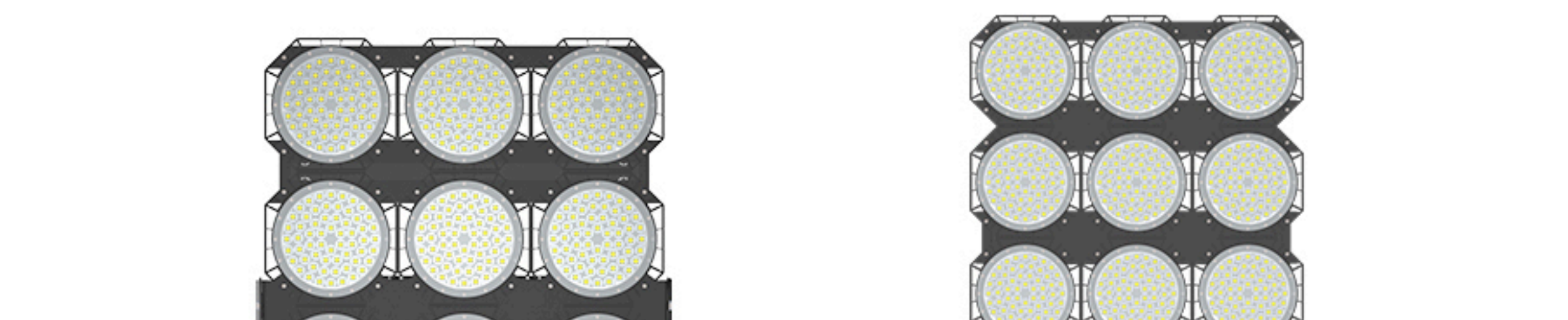
The lamp with hexagon design that minimizes wind load and saves maintenance cost. Each model operate separately, easy to maintenance

0-180° adjustable bracket



20°/30°/45° Beam Angle PC Lens  
Transmittance up to 92%

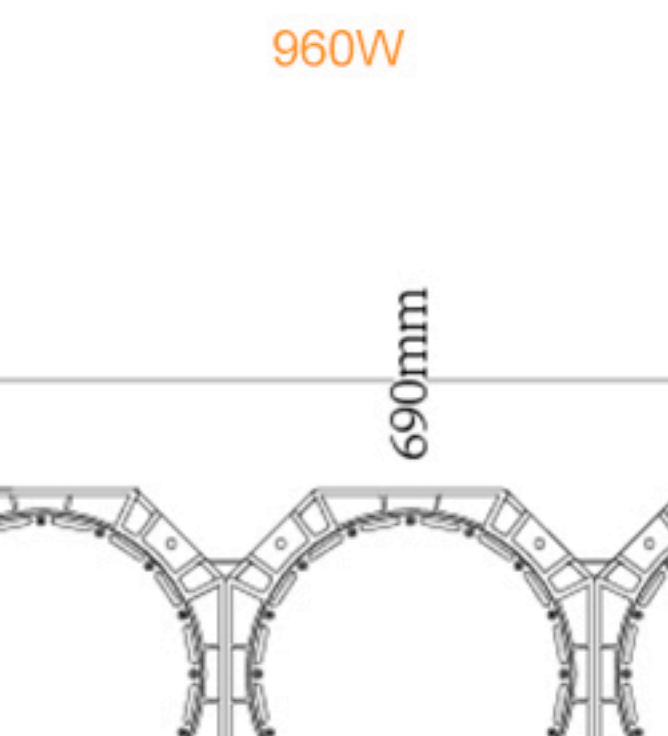
5050 SMD Led Chip, High lumen  
170LM/W



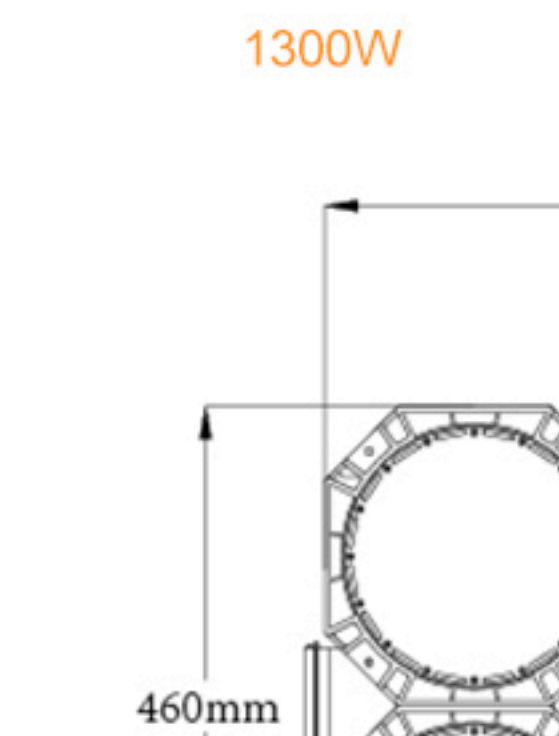
320W

480W

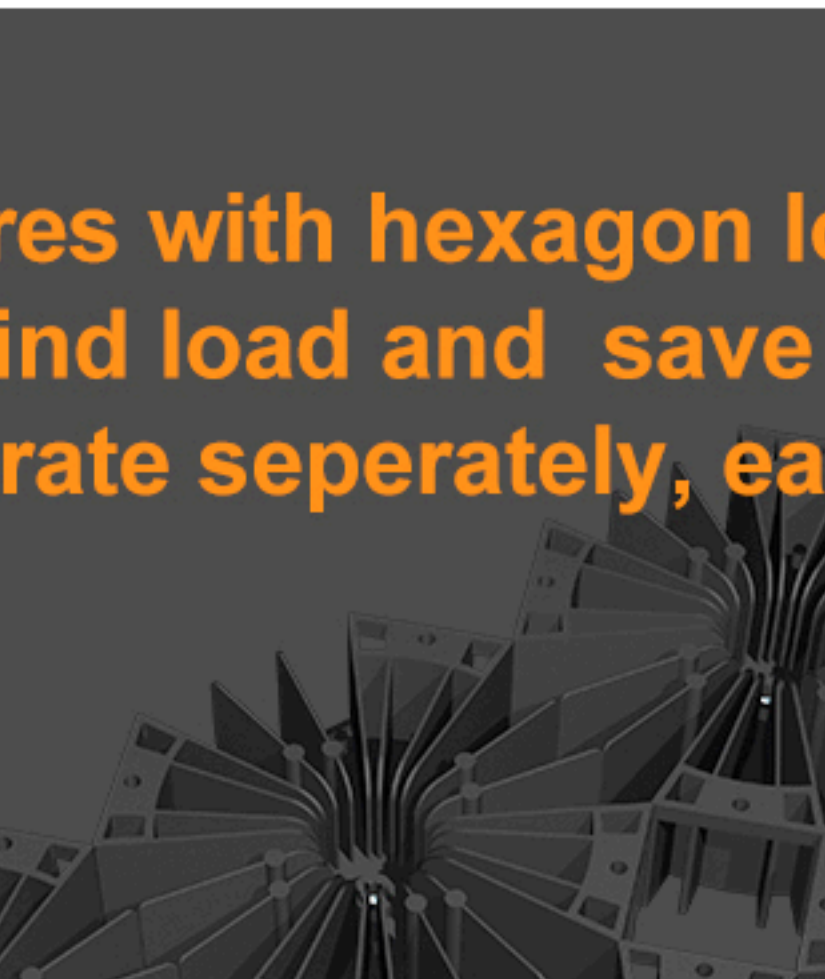
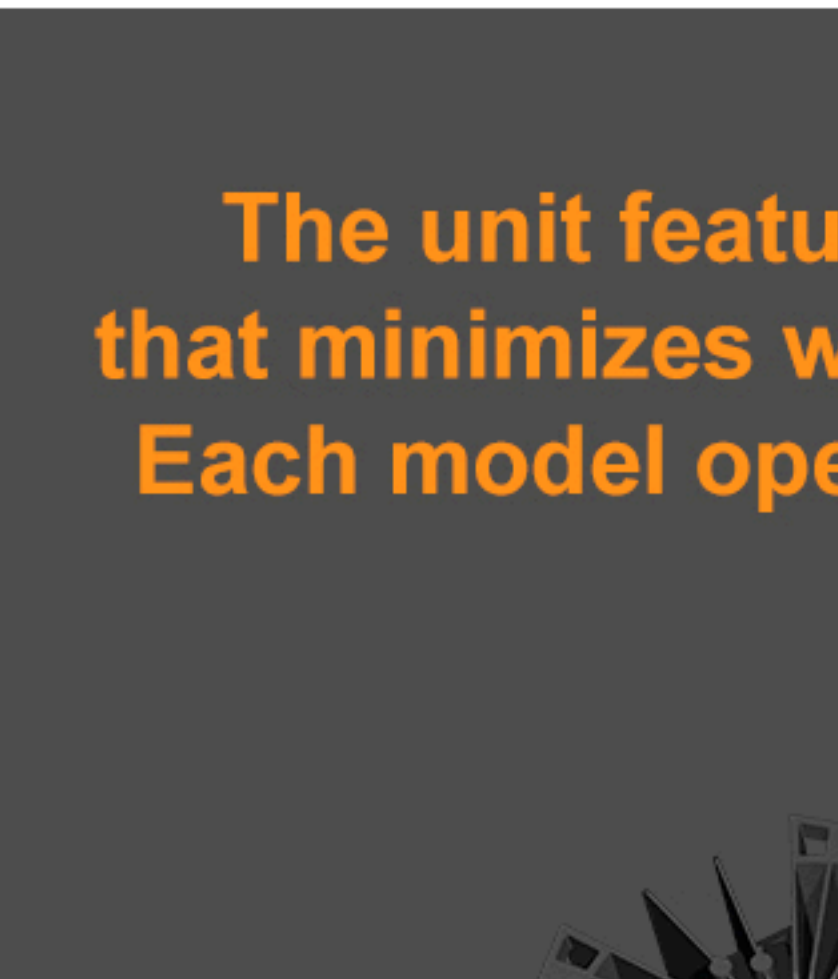
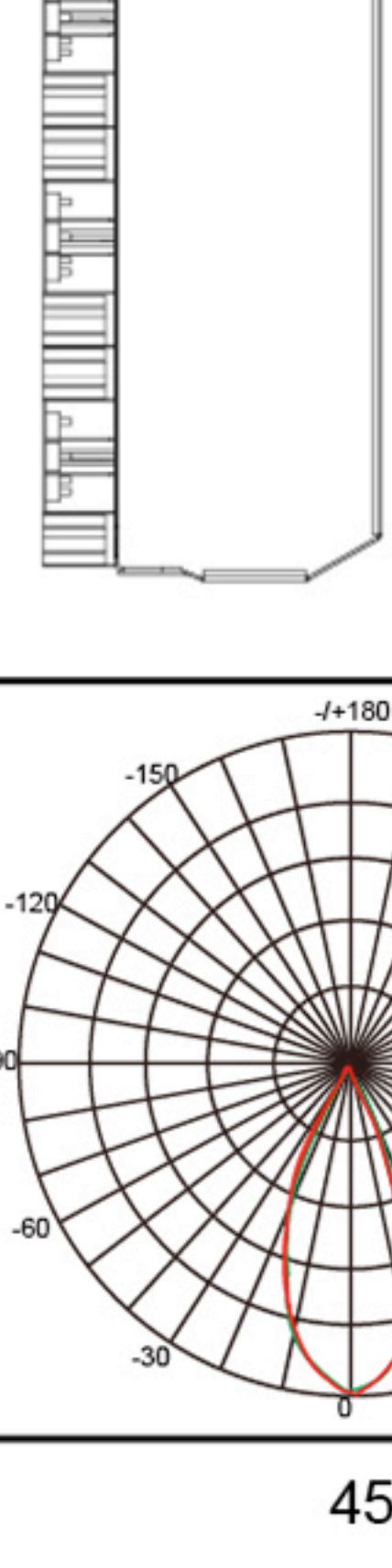
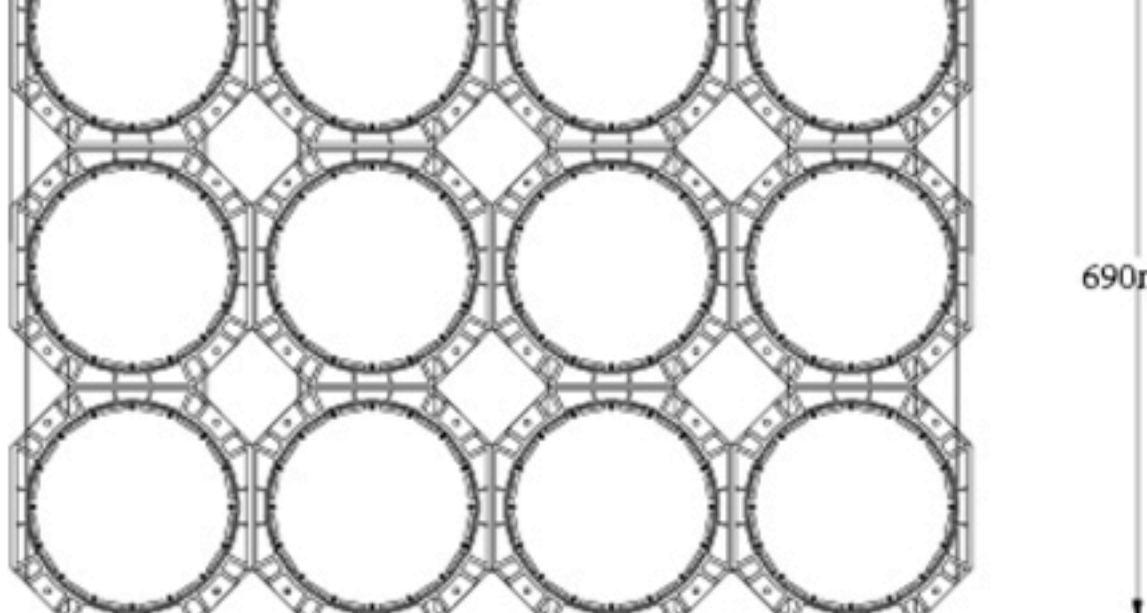
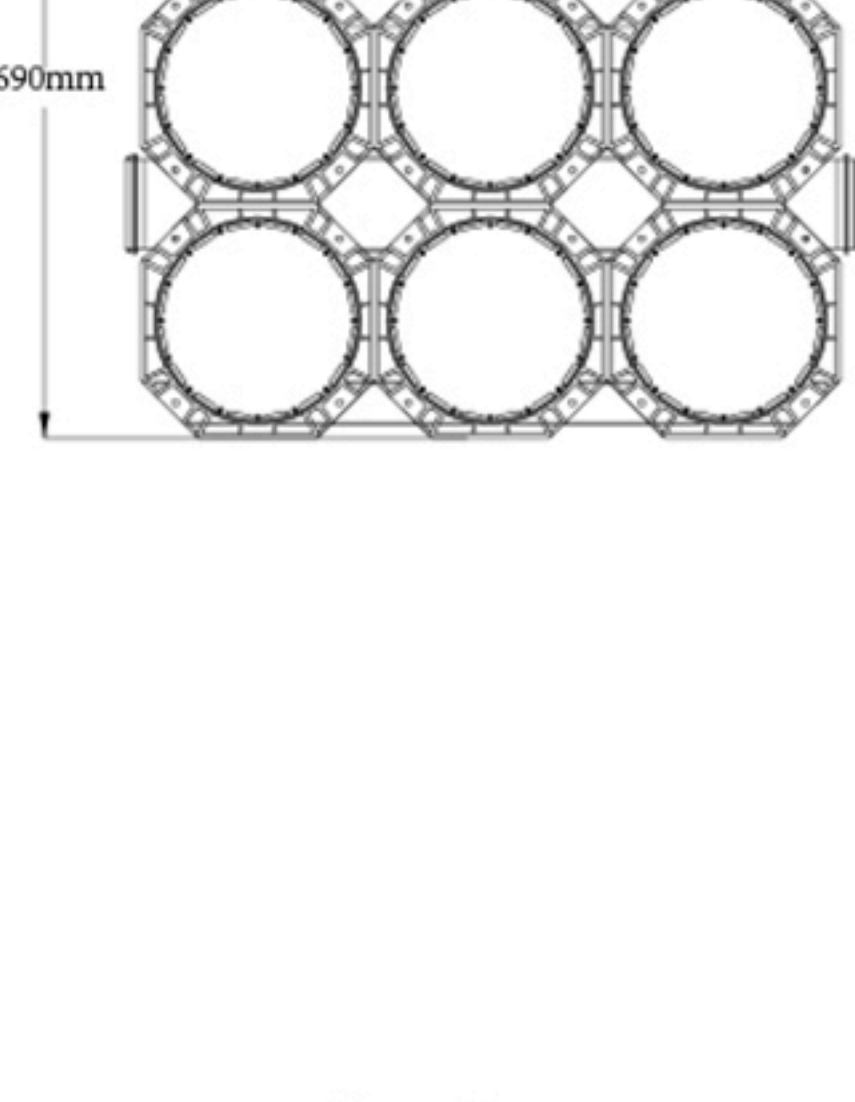
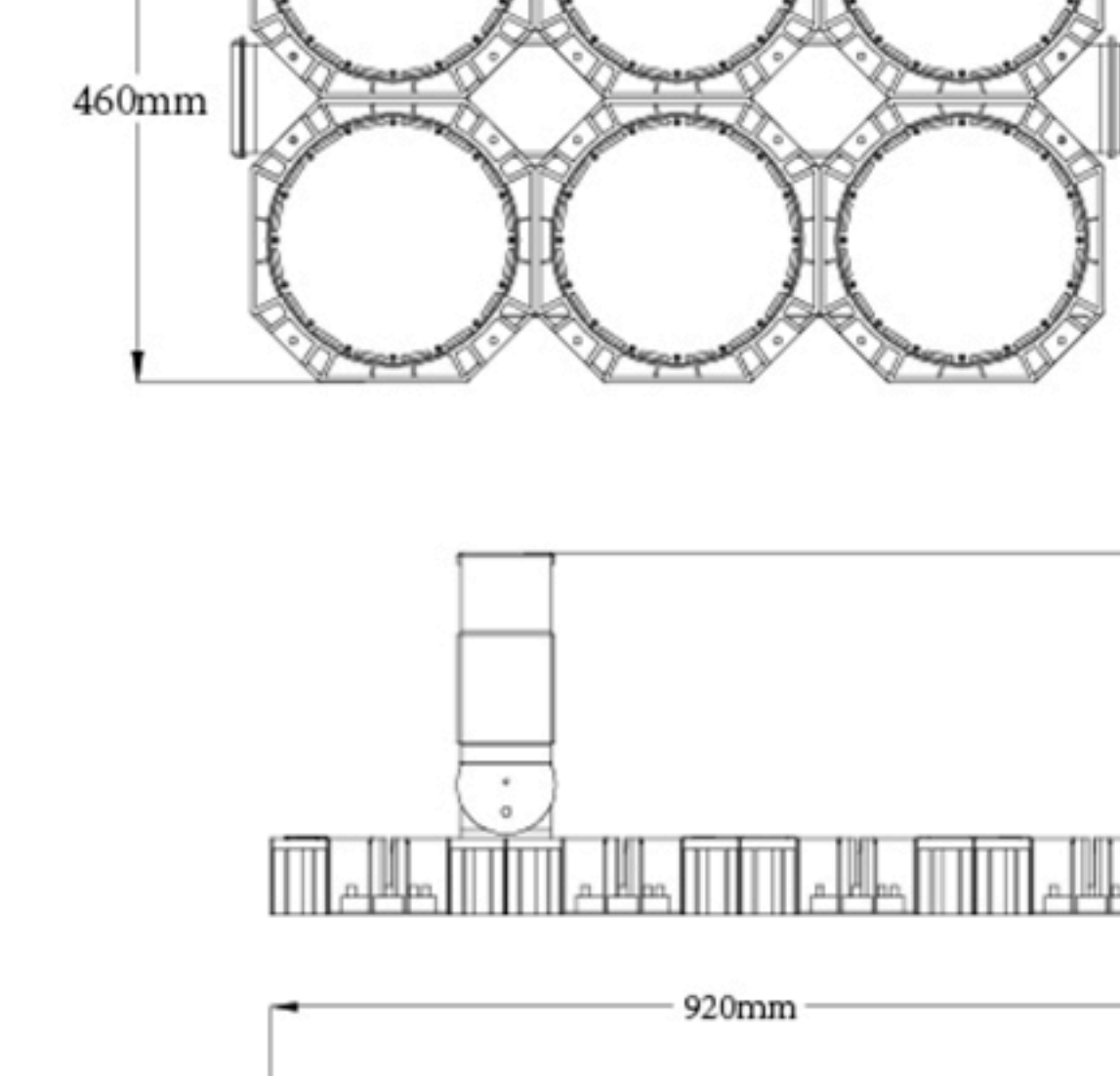
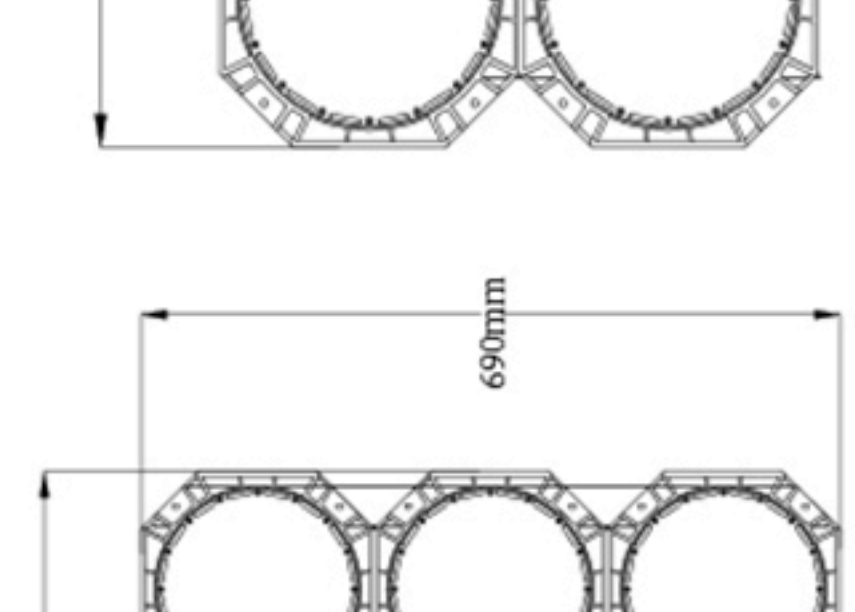
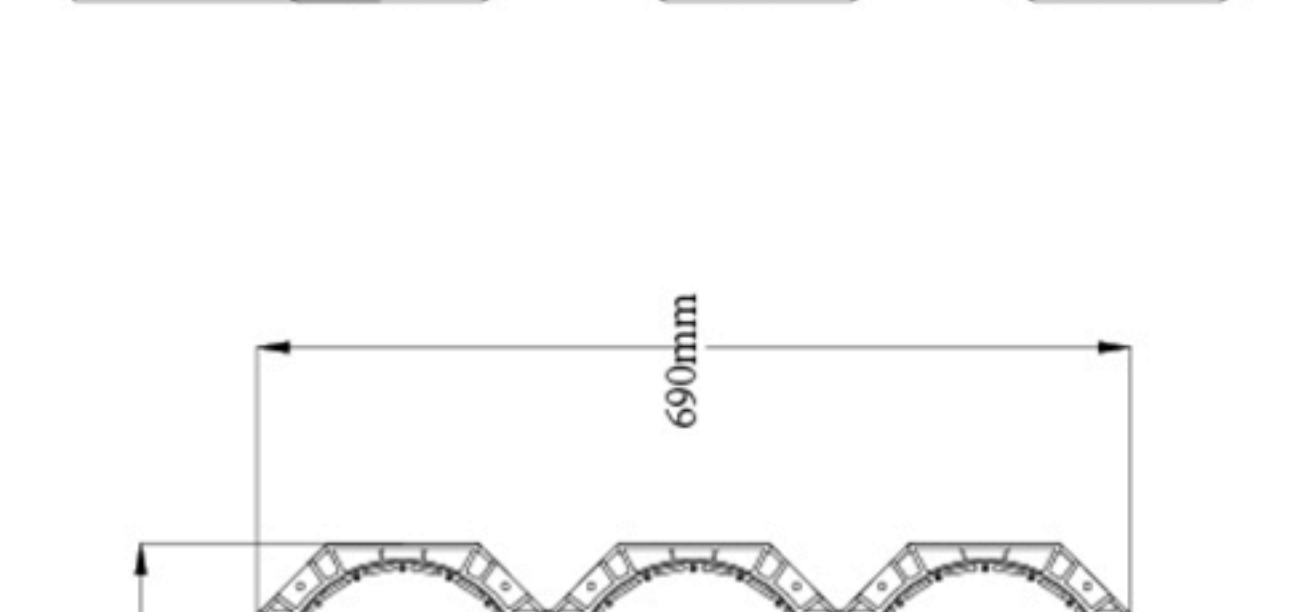
720W



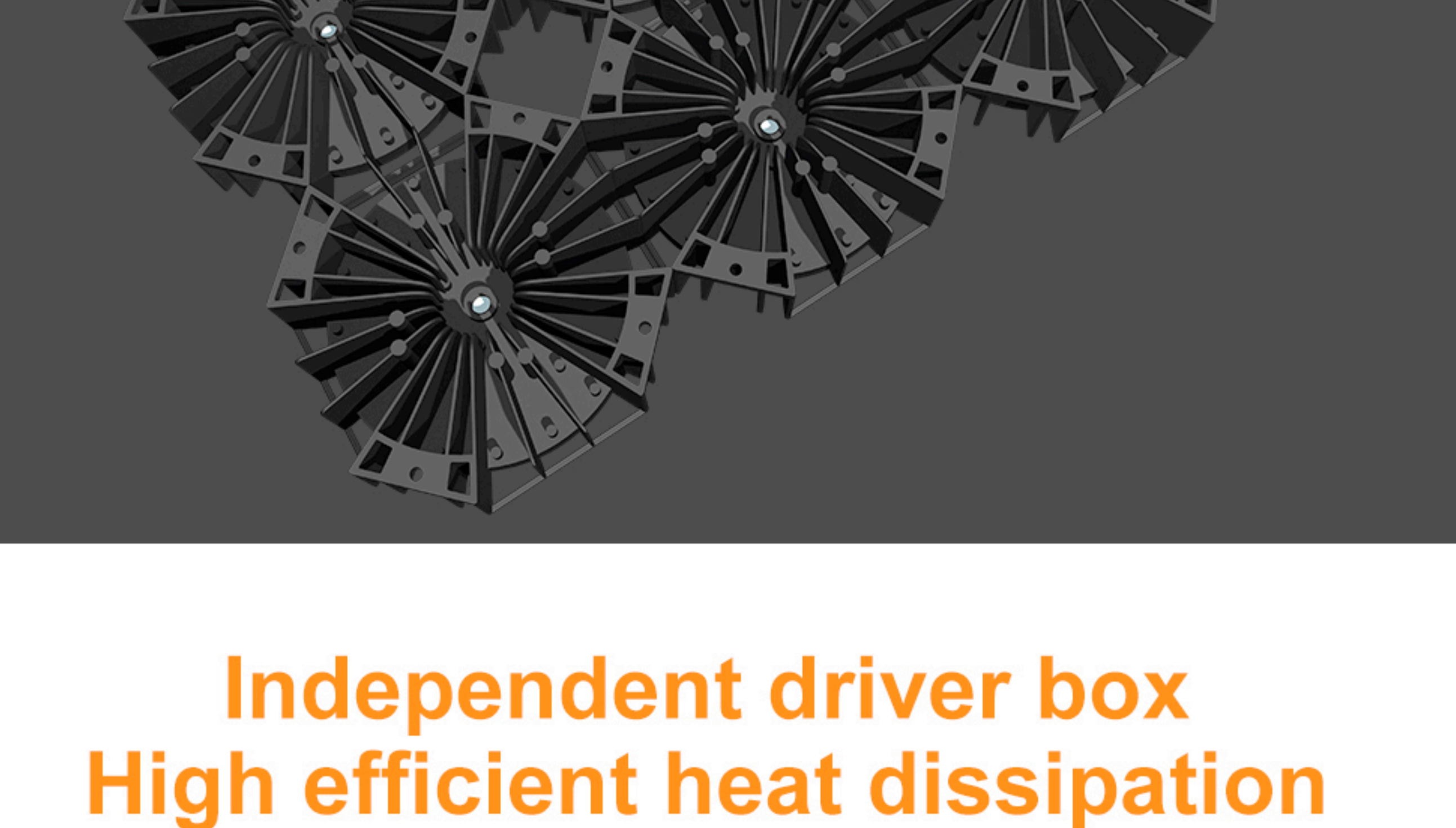
960W



1300W



The unit features with hexagon low profit design that minimizes wind load and save maintenance cost. Each model operate separately, easy to maintenance



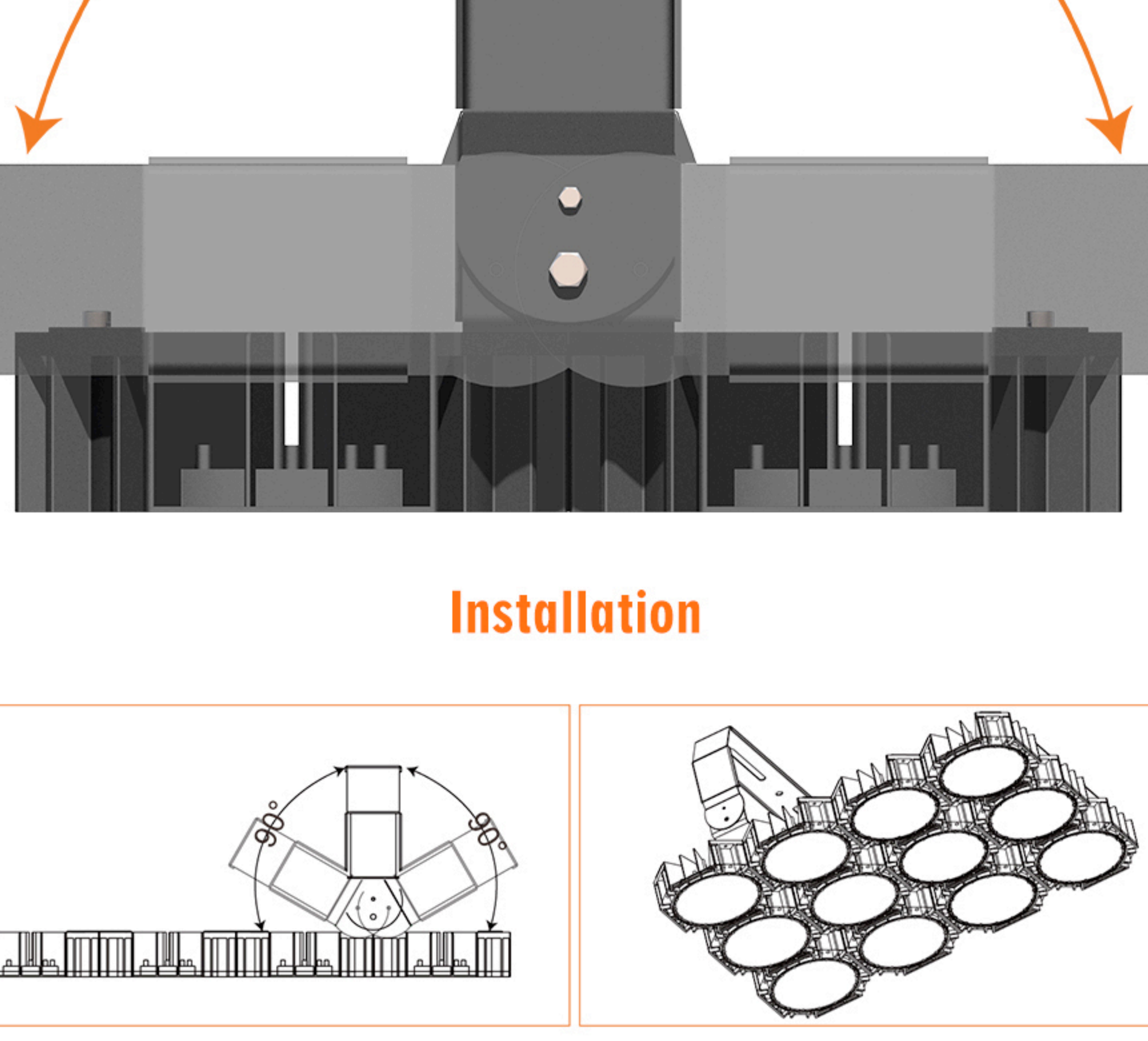
## Independent driver box High efficient heat dissipation



## 20°/30°/45° Beam Angle PC Lens Transmittance up to 92%



## 180 degree adjustable mounts



### Installation



### APPLICATION

