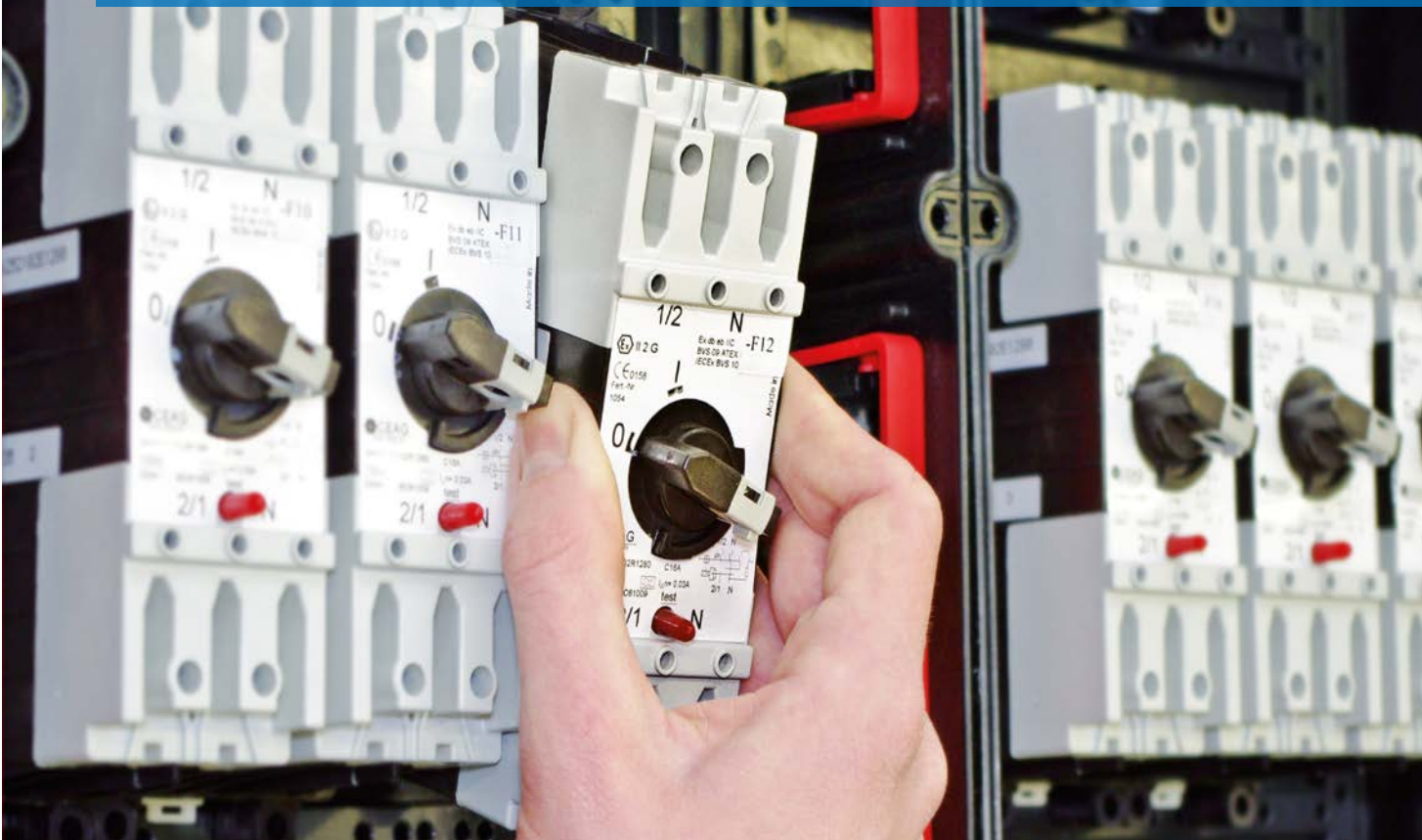


Explosion protected distributions



GHG 6277 E-Series MCCB 63 - 160 A

Ex-d built-in components for Zone 1 and 2 (IEC)



EATON

Powering Business Worldwide

New MCCB type GHG 6277

from 63 A up to 160 A- 3-pole & 4-pole MCCB for Ex-Zone 1 and 2

New Molded Case Circuit Breaker (MCCB) for more reliability

Eaton's Crouse-Hinds GHG 6277 tamper-proof encapsulated breakers provide maximum safety for your facility and feature the proven reliability of Eaton MCCBs.

Application:

Provide overcurrent and short circuit protection for low voltage power, lighting, and heat tracing applications in hazardous locations, such as refineries, chemical and petrochemical plants, mining, food processing, corrosive, and industrial processing facilities.

Encapsulated MCCBs are available certified to IEC standards, making them a global solution ideal for use as power circuit breakers and distribution board mains.

Cost savings

With the introduction of Eaton's Crouse-Hinds Ex-d MCCBs up to 160 A it becomes easier and cost-effective to realise a power distribution board for hazardous environment.

Conventionally an Ex-d enclosure with a minimum volume of 20 litres (e.g. GHG 64 -size 4 or 5) has to be selected to built in an industrial MCCB and add Ex-d cable bushings for wiring. To actuate the MCCB an Ex-d handle must be installed too.

Using the new GHG6277 series in a standard Ex e enclosure (GHG 619) with an external operating handle, the Ex d aluminum enclosure can be eliminated from the panel.

By combining with other GHG62 encapsulated components (MCBs, RCDs, & contactors) among with the GHG 758 Ex e busbar system, Eaton's Crouse-Hinds division can offer complete distribution panels for motor or power circuits, all without a need for expensive Ex-d enclosures.

This concept saves money and time for installation and maintenance.



Features

- Protection against electrical overload. Provides upstream protection for elevated electrical currents occurring outside of normal operation
- Protection against electrical faults. Immediately interrupts damaging high currents which occur during a line fault or short circuit
- Function as a switch-disconnector. Rated with AC3 switching capacity for making & breaking of electrical loads

Test button

push-to-trip mechanism for manual trip and testing of the breaker operation

Adjustable settings

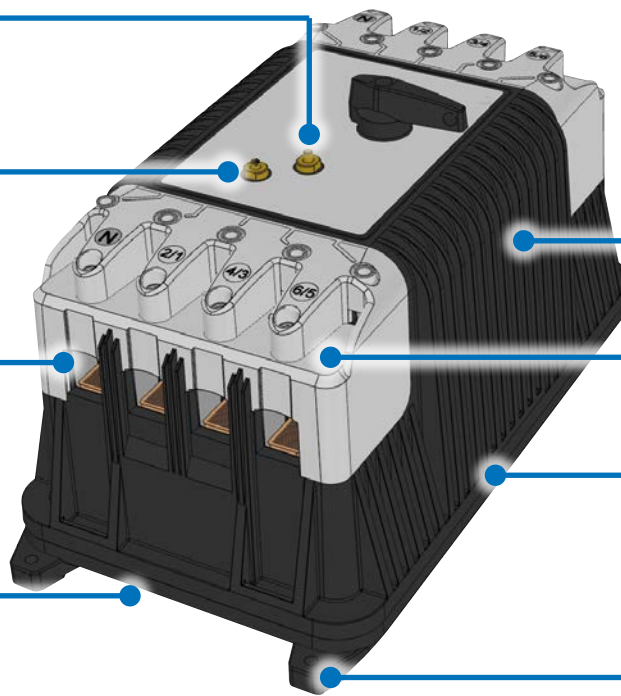
allows to adjust/set the trip setting down to the next available amperage (i.e. 160 A down to 125 A). (IEC version only)

Wire connecting terminals

Allows for single conductor up to 185 mm²

Engineered air gap

Aids in temperature reduction and improves air flow



Heat dissipation ribs

Enlarged surface area for better cooling of the integrated components

IP20

touch safe (IP20) operating controls

Tamper-proof friction welded design

Maximum security to eliminate risk of flame path damage and prevent safety critical changes to the MCCB during maintenance

Mounting feet

Easy access for mounting/removing breakers

Type key for MCCB

GHG6277 X YY R0 A B C

Type	Configuration X	Accessories YY	Version	# of poles	Short Circuit Capacity	Rated Current IEC
GHG6277 encapsulated MCCB	0 = MCCB only 1 = MCCB + 1NO 2 = MCCB + 1NC 3 = MCCB + trip indicator 1NO 4 = MCCB + 1NO/1NC 5 = MCCB + 2NO 6 = MCCB + 2NC 7 = MCCB + 2NO + trip indicator 1NO 8 = MCCB + 2NC + trip indicator 1NO 9 = MCCB + 1NO + 1NC + trip indicator 1NO	00 = MCCB only 01 = shunt trip 24V AC/DC + early make 1NO 02 = shunt trip 110V-130V AC/DC + early make 1NO 03 = shunt trip 208V-250V AC/DC + early make 1NO 04 = shunt trip 380V-440VAC/DC + early make 1NO 05 = uv release 24V 50/60Hz + early make 1NO 06 = uv release 110V-130V 50/60Hz + early make 1NO 07 = uv release 208V-240V 50/60Hz + early make 1NO 08 = uv release 380V-440V 50/60Hz + early make 1NO 09 = uv release 480V-525V 50/60Hz + early make 1NO 10 = shunt trip 24V AC/DC 11 = shunt trip 110V-130V AC/DC 12 = shunt trip 208V-250V AC/DC 13 = shunt trip 380V-440VAC/DC 14 = uv release 24V 50/60Hz 15 = uv release 110V-130V 50/60Hz 16 = uv release 208V-240V 50/60Hz 17 = uv release 380V-440V 50/60Hz 18 = uv release 480V-525V 50/60Hz 19 = early make aux switch 2NO	R0 = E-series version (standard)	1 = 3pole IEC 2 = 4pole IEC	3 = IEC 10kA @400V	2 = 63 A 3 = 80 A 4 = 100 A 5 = 125 A 6 = 160 A

NOTE: all combinations of „Configuration“ and „Accessories“ are possible

GHG 6277 Molded Case Circuit Breaker (MCCB) E-series



GHG 6277

Technical data E-series IEC

		MCCB 63 A up to 160 A
Marking accd. to 2014/34/EU		⊕ II 2 G Ex de IIB/IIC Gb
EC-Type Examination Certificate		BVS 09 ATEX E 145 U
Marking accd. to IECEx		Ex de IIB/IIC Gb
IECEX Certificate of Conformity		IECEX BVS 10.0002 U
Functional temperature		-20 °C up to +70 °C
Application temperature ¹⁾		-20 °C up to +55 °C (IIC / IIB based on GHG 619)
Limits of service temperature		-20 °C up to +110 °C (IIC / IIB)
Storage temperature		-20 °C up to +55 °C in original packing
Built-in position		Vertical and rotated 90 deg in all directions
Release system		thermomagnetic release
Safe Isolation to EN 61140	between aux contacts and main contacts	500 VAC
	between aux contacts	300 VAC
Rated impulse withstand voltage	main contacts	8000 V
	auxiliary contacts	6000 V
Rated operating voltage U_e		400 V
Rated switching capacity I_{cu}	400/415V (50/60Hz) kA/cos φ	10 kA/0.25
Rated current I_n	main contact	63 A, 80 A, 100 A, 125 A or 160 A
	aux. contact	max. 5 A
Adjustable setting range I_r		0.8 to 1.0 x rated current I_n
Short current protection		$I_j = 6 \times I_n$
Utilization category to IEC/EN 60947-2		A
Making/breaking capacity at rated current up to 400 V		AC1 & AC3
Connecting terminals main contact		1 x 4.0 mm ² up to 1 x 185 mm ²
Rated voltage aux. contact		max. 500 V AC
Rated current aux contact	AC15 le (up to 230 V) / DC13 le (up to 24 V)	4 A / 3 A
	AC15 le (up to 400 V) / DC13 le (up to 60 V)	2 A / 1.2 A
	AC15 le (up to 500 V) / DC13 le (up to 110 V)	1 A / 0.8 A
	DC13 le (up to 220 V)	0.3 A
Connecting terminals aux./signal contact		1.0 mm ² up to 4.0 mm ² fine stranded
Total opening delay on short circuit		< 10 ms
Weight		10.5 kg - 4-pole / 10 kg - 3 pole
Enclosure material		Polyamide
Component degree of protection accd. EN 60529		IP20

¹⁾ The limits of the operating temperature range and the max. permissible temperature rise of the components (functional temperature) have to be taken into account (see also page 2.6.11 of Master catalogue).



Order Code Molded Case Circuit Breaker (MCCB) E-series 10 kA IEC Version:

GHG 6277 W XX R0 Y 3 Z

Configuration	(W)
MCCB only	0
MCCB + 1NO	1
MCCB + 1NC	2
MCCB + trip indicator 1NO	3
MCCB + 1NO/1NC	4
MCCB + 2NO	5
MCCB + 2NC	6
MCCB + 2NO + trip indicator 1NO	7
MCCB + 2NC + trip indicator 1NO	8
MCCB + 1NO + 1NC + trip indicator 1NO	9

Accessories	(XX)
shunt trip 24V AC/DC + early make 1NO	01
shunt trip 110V-130V AC/DC + early make 1NO	02
shunt trip 208V-250V AC/DC + early make 1NO	03
shunt trip 380V-440VAC/DC + early make 1NO	04
uv release 24V 50/60Hz + early make 1NO	05
uv release 110V-130V 50/60Hz + early make 1NO	06
uv release 208V-240V 50/60Hz + early make 1NO	07
uv release 380V-440V 50/60Hz + early make 1NO	08
uv release 480V-525V 50/60Hz + early make 1NO	09
shunt trip 24V AC/DC	10
shunt trip 110V-130V AC/DC	11
shunt trip 208V-250V AC/DC	12
shunt trip 380V-440VAC/DC	13
uv release 24V 50/60Hz	14
uv release 110V-130V 50/60Hz	15
uv release 208V-240V 50/60Hz	16
uv release 380V-440V 50/60Hz	17
uv release 480V-525V 50/60Hz	18
early make aux. switch 2NO	19

# of Poles	(Y)	Rated Current (Z)
3 pole	1	63 A 2
4 pole	2	80 A 3
		100 A 4
		125 A 5
		160 A 6

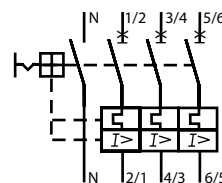
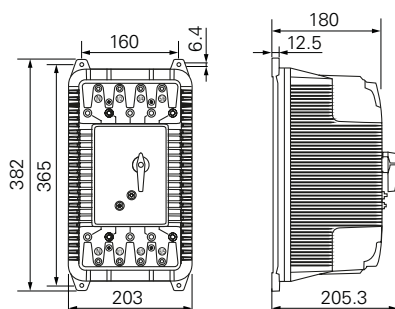
Power Loss at In (IEC-E-series)

In [A]	P [W]
63 A	20.2
80 A	20.5
100 A	25.7
125 A	27.6
160 A	38.4

Example: MCCB + 2NO, shunt trip 208V-250V AC/DC + early make 1NO, 4 poles, rated current 100 A

GHG 6277 5 03 R0 2 3 4

Dimension drawing /connection diagram





Eaton's Crouse-Hinds Business

The safety you rely on.

See the complete offering of Hazardous and Industrial Products at www.crouse-hinds.de.

**U.S. (Global Headquarters):
Eaton's Crouse-Hinds
Business**

1201 Wolf Street
Syracuse, NY 13208

(866) 764-5454
FAX: (315) 477-5179
FAX Orders Only:
(866) 653-0640

CrouseCustomerCTR@Eaton.com

For more information:

If further assistance is required, please contact an authorized Eaton Distributor, Sales Office, or Customer Service Department.

Australia

Phone +61-2-8787-2777
Fax +61-2-9609-2342
crousehindsanz@eaton.com

China

Phone +86-21-2899-3600
Fax +86-21-2899-4055
ECHsales@eaton.com

Great Britain

Phone +44-247-630-89 30
Fax +44-247-630-10 27
sales5@eaton.com

India

Phone +91-124-4683888
Fax +91-124-4683899
cchindia@eaton.com

Canada

Toll Free +1-800-265-0502
Fax +1-800-263-9504
Fax orders only:
+1-866-653-0645

Korea

Phone +82-2-3484-6783
Fax +82-2-3484-6778
CCHK-sales@
cooperindustries.com

**Mexico/Latin America/
Caribbean**

Phone +52-555-804-4000
Fax +52-555-804-4020
mxmercadotecnica@cooperindustries.com

Spain

Phone +34-9-37362710
Fax +34-9-37835055
sales.CCH.es@cooperindustries.com

Middle East (Dubai)

Phone +971 4 80 66 100
Fax +971 4 889 48 13
CHMEsales@Eaton.com

The Netherlands

Phone +31-10-2452145
Fax +31-10-2452121
CHRD_mail@Eaton.com

Norway

Phone +47-32-244600
Fax +47-32-244646
CHLloffice@eaton.com

Singapore:

Phone +65-6645-9888
Fax +65-6297-4819
CHSI-Sales@Eaton.com

Turkey

Phone +90-216-464-20-20
Fax +90-216-464-20-10
infoEGTurkey@eaton.com

Russia

Phone +7-495 510-24-27
Fax +7-495 510-24-28
info@cooper.ru.com
www.cooper-russia.ru

Eaton's Crouse-Hinds Business

Neuer Weg – Nord 49
D-69412 Eberbach

Phone +49 (0) 6271/806-500
Fax +49 (0) 6271/806-476
E-mail info-ex@eaton.com
Internet www.crouse-hinds.de

Eaton

1000 Eaton Boulevard
Cleveland, OH 44122
United States
Eaton.com

© 2016 Eaton Corporation
All Rights Reserved
Printed in Germany
Publication No. BR 300 8000
February 2017

Changes to the products, to the information contained in this document, and to prices are reserved; so are errors and omissions. Only order confirmations and technical documentation by Eaton is binding. Photos and pictures also do not warrant a specific layout or functionality. Their use in whatever form is subject to prior approval by Eaton. The same applies to Trademarks (especially Eaton, Moeller, and Cutler-Hammer). The Terms and Conditions of Eaton apply, as referenced on Eaton Internet pages and Eaton order confirmations.

Eaton's Crouse-Hinds Business

1201 Wolf Street
Syracuse, NY 13208
(866) 764-5454
CrouseCustomerCTR@Eaton.com

Eaton is a registered trademark.

All other trademarks are property of their respective owners.



Powering Business Worldwide