

Explosion-protected wall sockets

CEAG Products

# Personal protection!

Explosion-protected wall sockets with RCD/MCB



**Crouse-Hinds**  
by **EAT•N**

# Ex wall sockets with RCD/MCB

Plastic enclosures with integrated RCD/MCB from 16 A to 32 A for explosive gas atmospheres in Zones 1 and 2 and explosive dust atmospheres in Zones 21 and 22

The new explosion-proof wall sockets with integrated protective device (RCD/MCB) allows a local, customized protection of the connected equipment. It ensures a proper function when an error occurs due to short cable distances, shortens distances and allows a fast reaction after a fault.



## On-site safety

### When safety comes first

Especially in industrial environments with their numerous sources of danger, the protection of persons always comes first. Here, an RCD/MCB that is connected directly upstream from the end consumers is the optimal solution. With a tripping current of 10- 500 mA, it provides safe protection against serious injuries due to an electric shock in the event of a fault of the connected equipment. With the built-in RCD/MCB, the feed line and the end unit can be protected individually to suit the required load.

### Your safety during maintenance work

With the new RCD/MCB sockets even individual work areas can be isolated with utmost precision while maintenance work is carried out. In the event of a fault, only the area affected is switched off – all other areas remain fully functional! In addition, individual areas can be switched off manually and safeguarded against being switched on accidentally with the padlocking facility.

### No problems even with long cable lengths:

The reason for the problems is that with increasing cable length the loop impedance increases. An increased resistance extends the release time of a circuit breaker (fuse) or cancels the protection effect. By using the RCD/MCB, integrated directly into the wall socket, the cable lengths are shortened to the load and minimizes the circuit malfunction.

### So that you can react quickly

The RCD/MCB sockets allow direct, on-site access to the safety devices. As a result, you can act more flexibly and your reaction times are reduced drastically.

### Well thought-out – down to the last detail

The concept of the new RCD/ MCB sockets is based on our tried-and-tested enclosure concept in conjunction with our robust flange sockets and the built-in Ex-components, that can be operated easily at any time via an actuating flap.



## Features

- New standard for Ex wall sockets with personal protection
- Standard enclosures to suit various requirements
- Lockable, hinged MCB cover
- RCD/MCB 10- 500 mA
- Product series with 16 A and 32 A rated current
- High degree of protection IP 66

# Technical data / Dimension drawing / Ordering details

Wall sockets for explosive gas atmospheres in Zones 1 and 2 and explosive dust atmospheres in Zones 21 and 22

## Technical data

Marking to 94/9/EC	⊕ II 2 G Ex de IIC T4 ⊕ II 2 D Ex tD A21 IP66 T80 °C
EC-Type Examination Certificate	PTB 99 ATEX 1044
IECEx certification of conformity	IECEx BK1 06.007
IECEx type of protection	Ex de IIC T4 Ex tD A21 IP66 T80 °C
Permissible ambient temperature	-20 °C up to +40 °C <sup>2)</sup>
Rated voltage	24V / 130V / 230V / 400V (AC)
Rated current	16A / 32A
Connecting terminals	16A: 2 x 6mm <sup>2</sup> / 32A: 2 x 16mm <sup>2</sup>
Cable glands	2 x M25 x 1,5 (16 A) / 2 x M40 x 1,5 (32 A)
Insulation class	I
Degree of protection accd. EN 60529	IP66
Enclosure material	Enclosure: Glass-fibre reinforced polyester <sup>1)</sup> / Flange socket: Polyamid

## Ordering details

Type	Rated current	Rated voltage	Pole / h	Fuse	Order-No.
Typ 1	16 A	130 V	3-pol, 4 h	RCD/MCB 16A 30mA	<b>GHG6190001R0007</b>
Typ 1	16 A	24 V	3-pol, 8 h	RCD/MCB 16A 30 mA	<b>GHG6190001R0008</b>
Typ 1	16 A	250 V	3-pol, 6 h	RCD/MCB 16A 30mA	<b>GHG6190001R0009</b>
Typ 2	16 A	130 V	5-pol, 4 h	RCD/MCB 16A 30mA	<b>GHG6190001R0010</b>
Typ 2	16 A	400 V	5-pol, 6 h	RCD/MCB 16A 30mA	<b>GHG6190001R0011</b>
Typ 3	32 A	130 V	5-pol, 4 h	RCD/MCB 32A 30mA	<b>GHG6190001R0013</b>
Typ 3	32 A	400 V	5-pol, 6 h	RCD/MCB 32A 30mA	<b>GHG6190001R0014</b>

<sup>1)</sup> Further types on request (other RCD/MCB; other enclosure materials GRP/stainless steel)

<sup>2)</sup> Extended temperature range on request

**Type 1**



**Type 2**

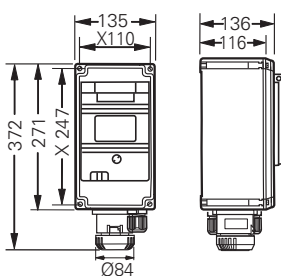


**Type 3**

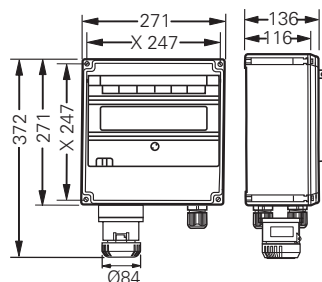


## Dimension drawings

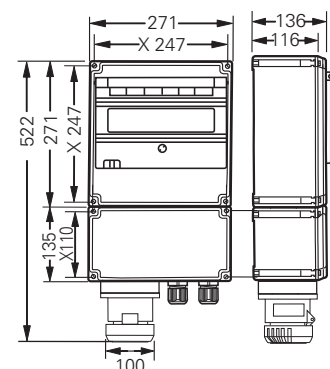
**Type 1**



**Type 2**



**Type 3**





Eaton's Crouse-Hinds Business

# The safety you rely on.

See the complete offering of Hazardous and Industrial Products at [www.crouse-hinds.de](http://www.crouse-hinds.de).

**U.S. (Global Headquarters):  
Eaton's Crouse-Hinds  
Business**

1201 Wolf Street  
Syracuse, NY 13208

(866) 764-5454  
FAX: (315) 477-5179  
FAX Orders Only:  
(866) 653-0640

[crouse.customerctr@  
cooperindustries.com](mailto:crouse.customerctr@cooperindustries.com)

**For more information:**

If further assistance is required, please contact an authorized Eaton Distributor, Sales Office, or Customer Service Department.

**Australia**

Phone +61-2-8787-2777  
Fax +61-2-9609-2342  
CEASales@  
[cooperindustries.com](mailto:cooperindustries.com)

**China**

Phone +86-21-2899-3600  
Fax +86-21-2899-4055  
[cchsales@cooperindustries.com](mailto:cchsales@cooperindustries.com)

**Great Britain**

Phone +44-247-630-89 30  
Fax +44-247-630-10 27  
[sales.CCH.gb@  
cooperindustries.com](mailto:sales.CCH.gb@cooperindustries.com)

**India**

Phone +91-124-4683888  
Fax +91-124-4683899  
[cchindia@cooperindustries.com](mailto:cchindia@cooperindustries.com)

**Canada**

Toll Free +1-800-265-0502  
Fax +1-800-263-9504  
Fax orders only:  
+1-866-653-0645

**Korea**

Phone +82-2-3484-6783  
Fax +82-2-3484-6778  
CCHK-sales@  
[cooperindustries.com](mailto:cooperindustries.com)

**Mexico/Latin America/  
Caribbean**

Phone +52-555-804-4000  
Fax +52-555-804-4020  
[mxmercadotecnia@  
cooperindustries.com](mailto:mxmercadotecnia@cooperindustries.com)

**Spain**

Phone +34-9-37362710  
Fax +34-9-37835055  
[sales.CCH.es@  
cooperindustries.com](mailto:sales.CCH.es@cooperindustries.com)

**Middle East (Dubai)**

Phone +971-4-427-2522 / 2500  
Fax +971-4-429-8521  
[sales.CCH.me@  
cooperindustries.com](mailto:sales.CCH.me@cooperindustries.com)

**The Netherlands**

Phone +31-10-2452145  
Fax +31-10-2452121  
[sales.CCH.nl@  
cooperindustries.com](mailto:sales.CCH.nl@cooperindustries.com)

**Norway**

Phone +47-32-244600  
Fax +47-32-244646  
[sales.CCH.no@  
cooperindustries.com](mailto:sales.CCH.no@cooperindustries.com)

**Singapore:**

Phone +65-6645-9888  
Fax +65-6297-4819  
[chsi-sales@  
cooperindustries.com](mailto:chsi-sales@cooperindustries.com)

**Turkey**

Phone +90-216-464-20-20  
Fax +90-216-464-20-10  
[infoEGTurkey@eaton.com](mailto:infoEGTurkey@eaton.com)

**Russia**

Phone +7-495 510-24-27  
Fax +7-495 510-24-28  
[info@cooper.ru.com](mailto:info@cooper.ru.com)  
[www.cooper-russia.ru](http://www.cooper-russia.ru)

**Eaton's Crouse-Hinds Business**

Neuer Weg – Nord 49  
D-69412 Eberbach

Phone +49 (0) 6271/806-500  
Fax +49 (0) 6271/806-476  
E-mail [info-ex@eaton.com](mailto:info-ex@eaton.com)  
Internet [www.crouse-hinds.de](http://www.crouse-hinds.de)

**Eaton**

1000 Eaton Boulevard  
Cleveland, OH 44122  
United States  
[Eaton.com](http://Eaton.com)

© 2014 Eaton Corporation  
All Rights Reserved  
Printed in Germany  
Publication No. BR 2246  
October 2014

Changes to the products, to the information contained in this document, and to prices are reserved; so are errors and omissions. Only order confirmations and technical documentation by Eaton is binding. Photos and pictures also do not warrant a specific layout or functionality. Their use in whatever form is subject to prior approval by Eaton. The same applies to Trademarks (especially Eaton, Moeller, and Cutler-Hammer). The Terms and Conditions of Eaton apply, as referenced on Eaton Internet pages and Eaton order confirmations.

**Eaton's Crouse-Hinds Business**

1201 Wolf Street  
Syracuse, NY 13208  
(866) 764-5454  
[crouse.customerctr@cooperindustries.com](mailto:crouse.customerctr@cooperindustries.com)

Eaton is a registered trademark.

All other trademarks are property of their respective owners.

**Crouse-Hinds**  
by **EATON**